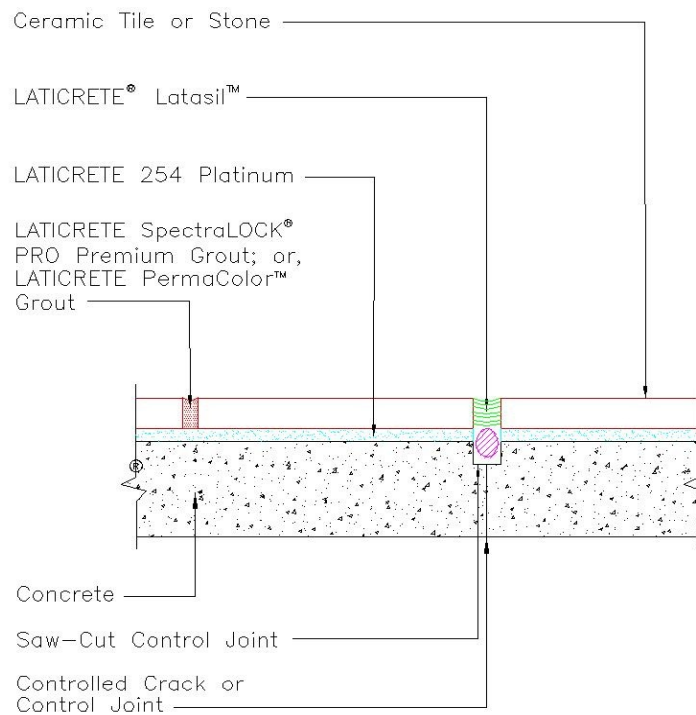


Drawing No. ES EJ04



Revision Date: 5/12      Scale: N.T.S.

AS A PROFESSIONAL COURTESY, LATICRETE OFFERS TECHNICAL SERVICES FREE OF CHARGE. THE USER MAINTAINS ALL RESPONSIBILITY FOR VERIFYING THE APPLICABILITY AND SUITABILITY OF THE TECHNICAL SERVICE OR INFORMATION PROVIDED.

(C)2012 LATICRETE INTERNATIONAL, INC. ALL RIGHTS RESERVED. THE RIGHT TO UTILIZE LATICRETE DETAILS FOR COMMERCIAL PURPOSES IS GRANTED EXCLUSIVELY TO CONTRACTORS, ARCHITECTS, QUANTITY SURVEYORS, ENGINEERS, AND SPECIFICATIONS WRITERS. LATICRETE (®), LATAPOXY (®) ARE REGISTERED TRADEMARKS OF LATICRETE INTERNATIONAL, INC. US & FOREIGN PATENT AND TRADEMARK OFFICES. MARCA REGISTRADA. ALL OTHER TRADEMARKS ARE PROPERTY OF THEIR RESPECTIVE COMPANIES.

**NOTE: "For complete application information and limitations consult related Product Data Sheets and Execution Statements related to this detail, and applicable industry standards."**

